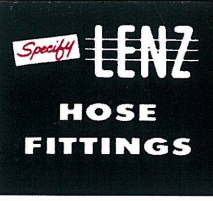
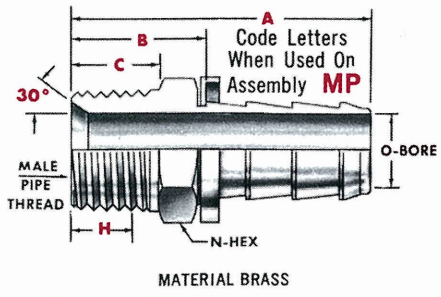


HOSE FITTINGS and ADAPTERS



LOW PRESSURE
"PUSH-ON" FITTINGS
& ADAPTERS
FOR Y & YR SINGLE
FABRIC BRAID HOSE

312 MALE PIPE "PUSH-ON" HOSE FITTINGS

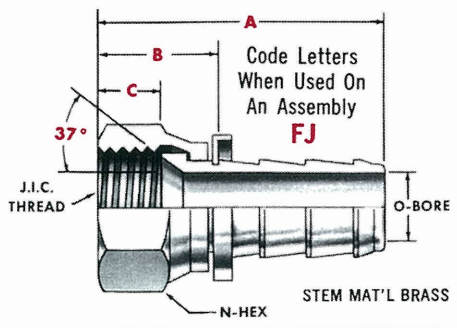


PART NO.	HOSE SIZE	HOSE I.D.	MALE PIPE TH'D	WT. PER 100 PCS.	A	B	C	H*	N HEX	O BORE
312-2-4	4	1/4	1/8	3.75	1 23/64	5/8	25/64	9/32	7/16	3/16
312-4-4	4	1/4	1/4	5.63	1 11/16	15/16	19/32	3/8	9/16	3/16
312-4-6	6	3/8	1/4	6.88	1 53/64	15/16	19/32	3/8	9/16	9/32
312-6-6	6	3/8	3/8	10	1 27/32	15/16	39/64	13/32	1 1/16	9/32
312-6-8	8	1/2	3/8	10	2"	15/16	39/64	13/32	1 1/16	1 1/32
312-8-8	8	1/2	1/2	15	2 3/16	1 1/8	25/32	1 7/32	7/8	1 1/32
312-8-10	10	5/8	1/2	16.25	2 19/32	1 3/16	25/32	1 7/32	7/8	1 1/32
312-12-12	12	3/4	3/4	21.88	2 39/64	1 3/16	51/64	1 9/16	1 1/16	1 1/16

*For Hose O.D., Working Pressure and Complete Hose Information See Page 18

MATERIAL BRASS

311 J.I.C. SWIVEL "PUSH-ON" HOSE FITTINGS

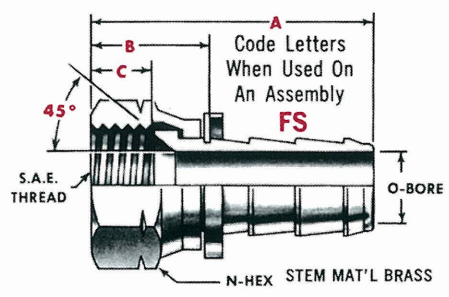


PART NO.	HOSE SIZE	HOSE I.D.	J.I.C. TH'D	WT. PER 100 PCS.	A	B	C	N HEX	O BORE
311-4-4	4	1/4	7/16-20	5	1 1/2	3/4	1 1/32	9/16	1 1/64
311-5-4	4	1/4	1/2-20	6.25	1 3/16	13/16	3/8	5/8	3/16
311-6-6	6	3/8	9/16-18	6.88	1 49/64	7/8	3/8	1 1/16	9/32
311-8-8	8	1/2	3/4-16	11.88	1 31/32	29/32	1 3/32	7/8	1 1/32
311-10-10	10	5/8	7/8-14	20	2 7/16	1"	1 5/32	1"	1/2
311-12-12	12	3/4	1 1/16-12	31.95	2 35/64	1 1/8	9/16	1 1/4	5/8

*For Hose O.D., Working Pressure and Complete Hose Information See Page 18

STEM MAT'L BRASS

301 S.A.E. SWIVEL "PUSH-ON" HOSE FITTINGS

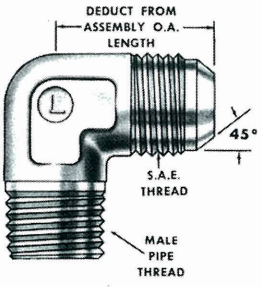


PART NO.	HOSE SIZE	HOSE I.D.	S.A.E. TH'D	WT. PER 100 PCS.	A	B	C	N HEX	O BORE
301-4-4	4	1/4	7/16-20	5	1 1/2	3/4	1 1/32	9/16	1 1/64
301-5-4	4	1/4	1/2-20	6.25	1 3/16	13/16	3/8	5/8	3/16
301-6-6	6	3/8	5/8-18	8.75	1 25/32	29/32	13/32	3/4	9/32
301-8-8	8	1/2	3/4-16	11.88	1 31/32	29/32	13/32	7/8	1 1/32
301-10-10	10	5/8	7/8-14	20	2 7/16	1"	1 5/32	1"	1/2
301-12-12	12	3/4	1 1/16-14	33.13	2 3/16	1 1/2	23/32	1 1/4	5/8

*For Hose O.D., Working Pressure and Complete Hose Information See Page 18

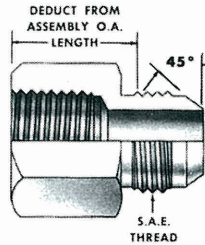
STEM MAT'L BRASS

... For Use With 301 Series Swivel Hose End Fittings Shown and Listed Above



LENZ 5405 MALE ELBOW ADAPTER
Male Pipe To S.A.E. Thread

PART NO.	MALE PIPE TH'D.	TUBE O.D.	S.A.E. TH'D.	DEDUCT FROM ASS'Y. O.A. L.
5405-1/8-4	1/8	1/4	7/16-20	7/16
5405-1/4-4	1/4	1/4	7/16-20	15/32
5405-1/8-5	1/8	5/16	1/2-20	1/2
5405-1/4-5	1/4	5/16	1/2-20	1/2
5405-3/8-5	3/8	5/16	1/2-20	9/16
5405-1/8-6	1/8	3/8	5/8-18	1 1/32
5405-1/4-6	1/4	3/8	5/8-18	1 1/32
5405-3/8-6	3/8	3/8	5/8-18	1 1/32
5405-1/2-6	1/2	3/8	5/8-18	1 1/16
* 5405-1/4-8	1/4	1/2	3/4-16	2 1/32
* 5405-3/8-8	3/8	1/2	3/4-16	2 1/32
* 5405-1/2-8	1/2	1/2	3/4-16	2 3/32
* 5405-3/4-8	3/4	1/2	3/4-16	1 3/16
5405-3/8-10	3/8	5/8	7/8-14	1 3/16
5405-1/2-10	1/2	5/8	7/8-14	1 3/16
5405-3/4-10	3/4	5/8	7/8-14	29/32
5405-1/2-12	1/2	3/4	1 1/16-14	1 5/16
5405-3/4-12	3/4	3/4	1 1/16-14	1 5/16



LENZ 5255 FEMALE ADAPTER
Female Pipe To S.A.E. Thread

PART NO.	FEMALE PIPE TH'D.	TUBE O.D.	S.A.E. TH'D.	DEDUCT FROM ASS'Y. O.A. L.
5255-1/8-4	1/8	1/4	7/16-20	5/8
5255-1/4-4	1/4	1/4	7/16-20	2 7/32
5255-1/8-5	1/8	5/16	1/2-20	2 3/32
5255-1/4-5	1/4	5/16	1/2-20	2 9/32
5255-1/8-6	1/8	3/8	5/8-18	2 1/32
5255-1/4-6	1/4	3/8	5/8-18	2 9/32
5255-3/8-6	3/8	3/8	5/8-18	2 9/32
* 5255-1/4-8	1/4	1/2	3/4-16	3 1/32
* 5255-3/8-8	3/8	1/2	3/4-16	1 1/32
* 5255-1/2-8	1/2	1/2	3/4-16	1 3/16
5255-3/8-10	3/8	5/8	7/8-14	1"
5255-1/2-10	1/2	5/8	7/8-14	1 3/16
5255-3/4-10	3/4	5/8	7/8-14	1 1/4
5255-1/2-12	1/2	3/4	1 1/16-14	1 1/4
5255-3/4-12	3/4	3/4	1 1/16-14	1 3/16
—	—	—	—	—
—	—	—	—	—
—	—	—	—	—

*Adapters For Use With 135HU and 136HU Swivel Hose Fittings on Page 3